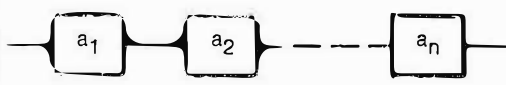
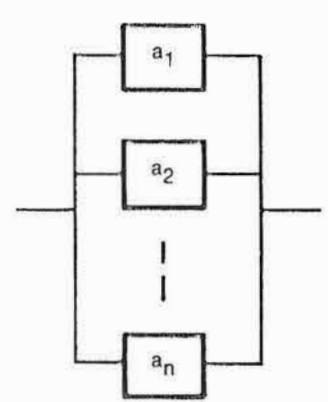
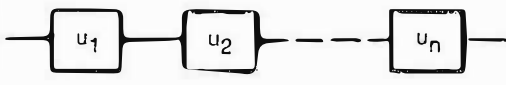
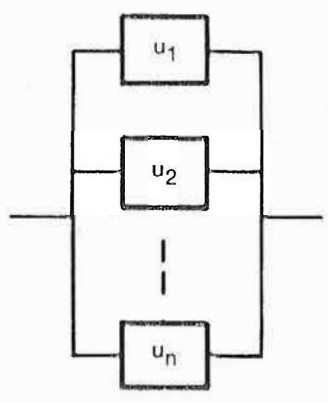


EVALUATION OF RELIABILITY MODELS

RELIABILITY BLOCK DIAGRAM (SUCCESS ORIENTED) (RBD)	SERIES SYSTEM 	$A = \prod_{i=1}^n a_i$ $U = 1 - \prod_{i=1}^n (1 - u_i)$
	PARALLEL SYSTEM 	$A = 1 - \prod_{i=1}^n (1 - a_i)$ $U = \prod_{i=1}^n u_i$
FAILURE STATE DIAGRAM (FAILURE ORIENTED) (FSD)	SERIES SYSTEM 	$U = \prod_{i=1}^n u_i$ $A = 1 - \prod_{i=1}^n (1 - a_i)$
	PARALLEL SYSTEM 	$U = 1 - \prod_{i=1}^n (1 - u_i)$ $A = \prod_{i=1}^n a_i$
<p> a = COMPONENT AVAILABILITY $u = 1 - a$ = COMPONENT UNAVAILABILITY A = REDUNDANT SYSTEM AVAILABILITY $U = 1 - A$ = REDUNDANT SYSTEM UNAVAILABILITY </p>		